



# APPROVAL SHEET

Approval Specification	Customer's Approval Certificate
<b>TO:</b>	Please return this copy as a certification of your approval
<b>Part No.:</b>	<b>Checked &amp; Approved by:</b>
<b>Customer's Part No.:</b>	<b>Date:</b>

## BEIJING ZHONGXUN SIFANG SCIENCE & TECHNOLOGY CO.,LTD.

Tel: +86-010-58937383  
Fax: +86-010-58937263  
E-mail: [zxsf\\_sales@163.com](mailto:zxsf_sales@163.com)  
QQ: 2109300457  
Website: <http://www.bjzxsf.net>  
Add: No 201, Block A. Building 3. Yongjie Beilu  
Yongfeng high-tech industrial base  
Haidian District Beijing city

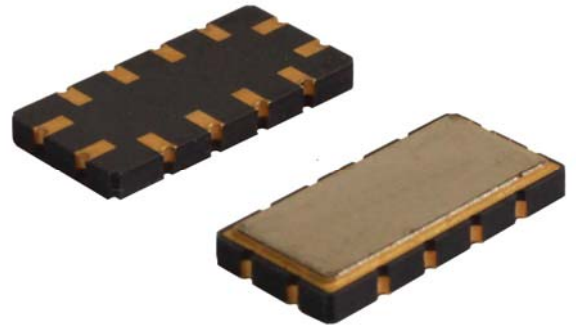


Part No.	:	SF3262
Pages	:	6
Date	:	2017/2/20
Revision	:	1.0

<b>Prepared by:</b>	
<b>Checked by:</b>	
<b>Approved by:</b>	

**Application**

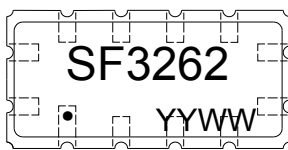
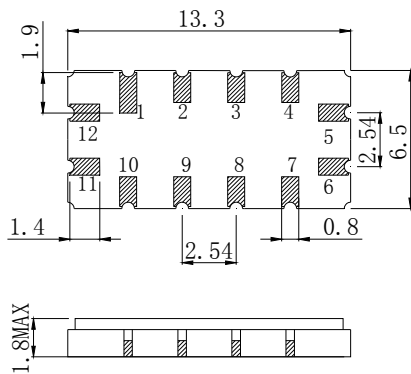
- Low-loss SAW component
- Low amplitude ripple
- Sharp rejections at both out-bands
- Usable passband 45.1 MHz



**Features**

- Ceramic Package for **Surface Mounted Technology (SMT)**
- **RoHS** compatible
- Package size 13.30x6.50x1.80mm<sup>3</sup>
- Package Code QCC12
- **Electrostatic Sensitive Device(ESD)**

**Package Dimensions (Unit: mm)**



**Pin Configuration**

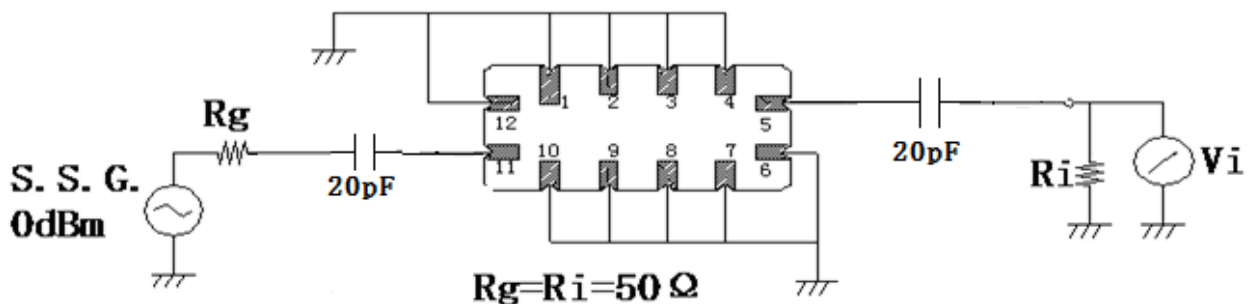
Pin No.	Description
11	Input
5	Output
1,2,3,4,7,8,9,10	Case Ground
6,12	To be Grounded

**Marking Description**

SF	SF	Trademark
	F	SAW Filter
3262	Part Number	
●	Pin 1	
YYWW	Year Code & Week Code	

\*Fig: If the products produced in 06<sup>th</sup> week of 2015, The year code & week code is 1506.

**Test Circuit (Bottom View)**



**Performance****Maximum Rating**

Item		Value	Unit
DC Voltage	$V_{DC}$	3	V
Operation Temperature	T	-40 ~ +85	°C
Storage Temperature	$T_{stg}$	-55 ~ +125	°C
RF Power Dissipation	P	15	dBm

**Electronic Characteristics**

Test Temperature:  $25^{\circ}\text{C} \pm 2^{\circ}\text{C}$

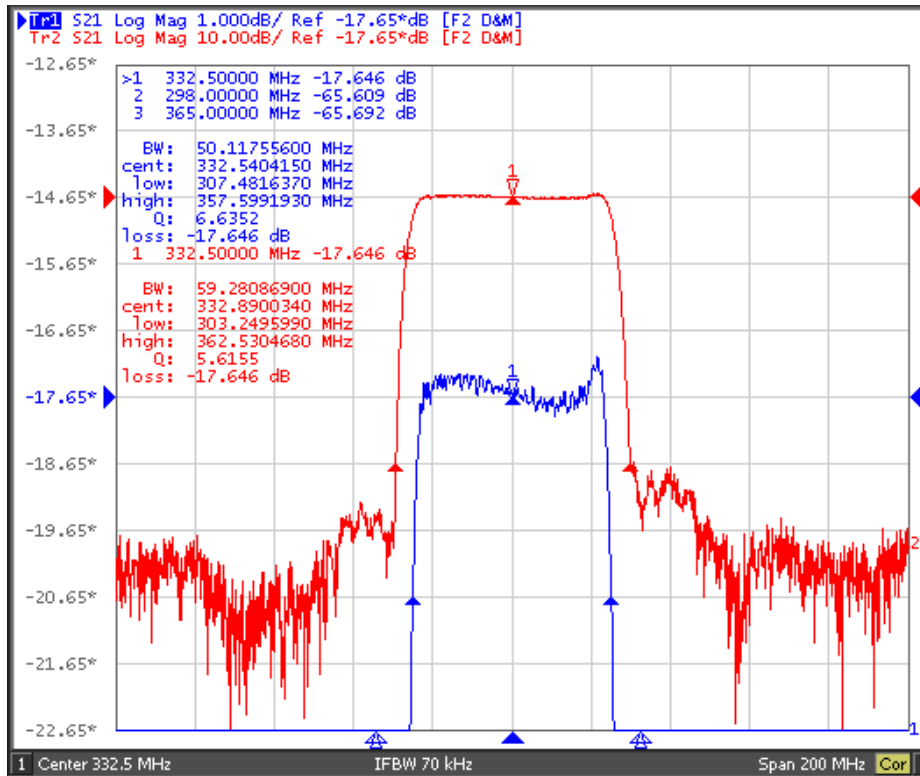
Terminating source impedance:  $50\Omega$

Terminating load impedance:  $50\Omega$

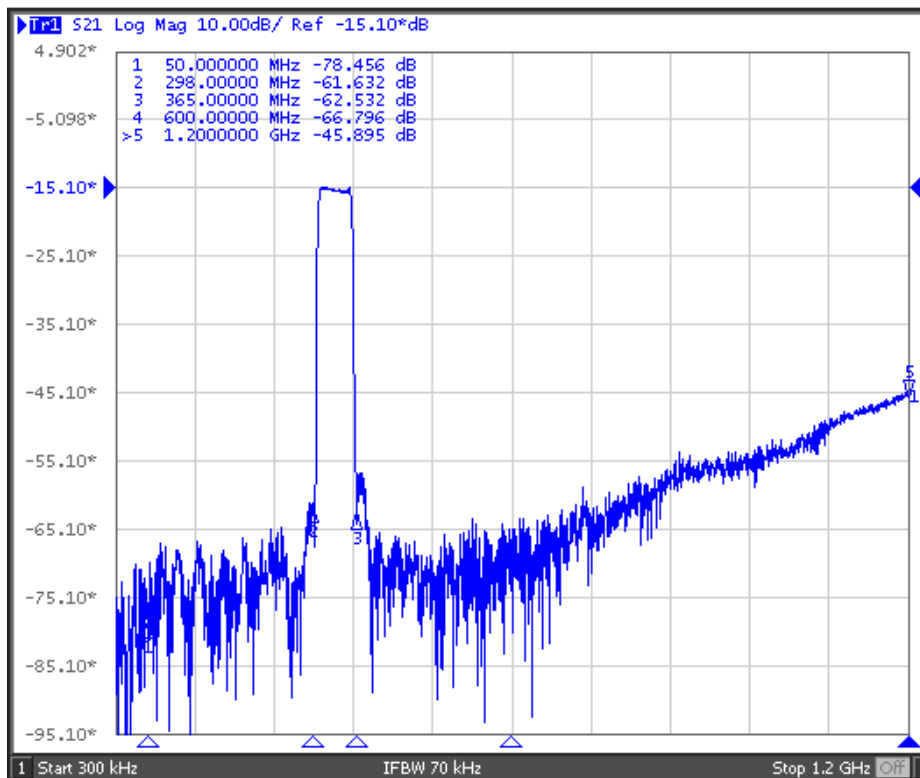
Item		Minimum	Typical	Maximum	Unit
Center Frequency	$f_c$		332.5		MHz
Insertion Loss(min)	IL		18.0	28.0	dB
1 dB Bandwidth	@332.5 MHz $BW_{1dB}$	45.1	48.1		MHz
3 dB Bandwidth	@332.5 MHz $BW_{3dB}$	45.5	50.1		MHz
40 dB Bandwidth	@332.5 MHz $BW_{40dB}$		59.3	60	MHz
Amplitude Ripple (p-p)	$\Delta\alpha$		1.0		dB
Absolute Group Delay	@332.5 MHz AD		0.51		$\mu\text{s}$
Absolute Attenuation	$\alpha$				
	50.00 – 298.00 MHz	40.0	42.0		dB
	365.00 – 600.00 MHz	40.0	42.0		dB
	600.00 – 1000.00 MHz	25.0	30.0		dB

Frequency Characteristics

Frequency Response



Frequency Response (wideband)





**Notes**

1. As a result of the particularity of inner structure of SAW products, it easy to be breakdown by electrostatic, so we should pay attention to **ESD protect** in the test.
2. **Static voltage** between signal load and ground may cause deterioration and destruction of the component. Please avoid static voltage.
3. **Ultrasonic cleaning** may cause deterioration and destruction of the component. Please avoid ultrasonic cleaning.
4. Only leads of component may **be soldered**. Please avoid soldering another part of component.
5. There is a close relationship between the device's performance and **matching network**. The specifications of this device are based on the test circuit shown above. L and C values may change depending on board layout. Values shown are intended as a guide only.